



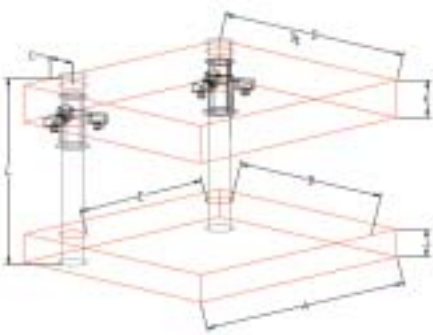
The "Next Day Die Set"

Order your *standard* stock set today, and we will ship it tomorrow.

- We stock rectangular and shaped back post die sets.
- Plain Bearing Die Sets from 4" x 4" up to 20" x 12".
- Specify any standard "L" length of pin.
- Standard pin lengths from 3-1/4" to 14", depending on diameter "O".
- Demountable steel bushings are standard.

Standard, Two Post Plain Bearing Die Sets

All Die Sets include READY® Precision Guide Pins and Demountable Steel Bushings.



Please Specify:

- Quantity
- Catalog Number
- Pin Length
- Shank Yes/No

Order Example:

Qty Catalog No. Pin Length
1 2S1006-11 L = 6"

Unless specified:

- Precision toe clamp shoulder demountable bushings provided
- Bushing clamps positioned for L to R feed.

Options:

- Other guiding elements are available. Call for details.

Catalog Number	Die Space		Thickness		O	D	E	C
	L to R A	F to B B*	Die Holder J	Punch Holder K				
2S64-11	6	4	1	1	1	6	3	1 1/2
2S66-11	6	6	1 1/4	1 1/4	1	8	3	1 1/2
2S86-11	8	6	1 1/4	1 1/4	1	8	5	1 1/2
2S86-12			1 1/2	1 1/2				
2S86-21			1 1/2	1 1/4				
2S86-22			1 1/2	1 1/2				
2S1006-11	10	6	1 1/4	1 1/4	1 1/4	8	7	1 1/2
2S1006-12			1 1/2	1 1/2				
2S1006-21			1 1/2	1 1/4				
2S1006-22			1 1/2	1 1/2				
2S1010-11	10	10	1 1/2	1 1/2	1 1/4	12 1/4	6 3/4	1 5/8
2S1010-12			2	2				
2S1010-21			2	1 1/2				
2S1010-22			2	2				
2S1206-11	12	6	1 1/2	1 1/2	1 1/2	8 1/4	8 3/4	1 5/8
2S1206-12			2	2				
2S1206-21			2	1 1/2				
2S1206-22			2	2				
2S1406-11	14	6	1 1/2	1 1/2	1 1/2	8 1/2	10 1/2	1 3/4
2S1406-12			2	2				
2S1406-21			2	1 1/2				
2S1406-22			2	2				
2S1410-11	14	10	1 1/2	1 1/2	1 1/2	12 1/2	10 1/2	1 3/4
2S1410-12			2	2				
2S1410-21			2	1 1/2				
2S1410-22			2	2				
2S1610-11	16	10	1 1/2	1 1/2	1 1/2	12 1/2	12 1/2	1 3/4
2S1610-12			2	2				
2S1610-21			2	1 1/2				
2S1610-22			2	2				
2S1808-11	18	8	1 1/2	1 1/2	1 1/2	10 1/2	14 1/2	1 3/4
2S1808-12			2	2				
2S1808-21			2	1 1/2				
2S1808-22			2	2				
2S2012-11	20	12	1 1/2	1 1/2	1 1/2	14 1/2	16 1/2	1 3/4
2S2012-12			2	2				
2S2012-21			2	1 1/2				
2S2012-22			2	2				

*B = in front of the pins

READY TECHNOLOGY, INC.

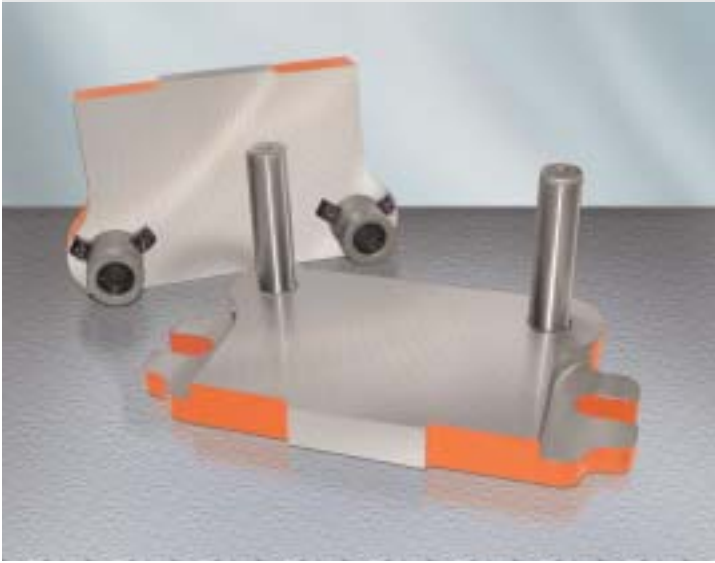
333 Progress Rd. • Dayton, OH 45449
(800) 543-4355 • (937) 866-7200 • fax (937) 866-7226
www: READYTECHNOLOGY.com

**Order your stock set today,
and we'll ship it tomorrow!**

The "Next Day Die Set"

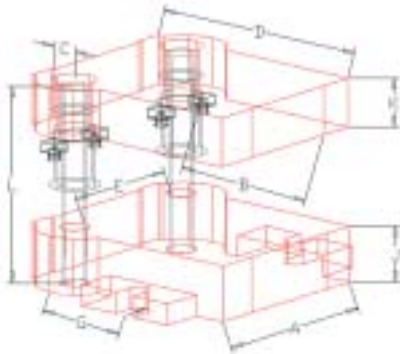
Order your *shaped* stock set today, and we will ship it tomorrow.

- We stock rectangular and shaped back post die sets.
- Plain Bearing Die Sets from 4" x 4" up to 20" x 12".
- Specify any standard "L" length of pin.
- Standard pin lengths are 3-1/4" to 10".
- Demountable steel bushings are standard.



Stock, Two Post Shaped Die Sets

All Die Sets include READY® Double Diameter Pins and Demountable Steel Bushings.



Please Specify:

- Quantity
- Catalog Number
- Pin Length
- Shank Yes/No

Order Example:

Qty Catalog No. Pin Length
 1 0606-11 L = 6"
 no shank

Unless specified:

- Precision toe clamp shoulder demountable bushings provided
- Bushing clamps positioned for L to R feed.

Options:

- Other guiding elements are available. Call for details.

Order your stock set today, and we'll ship it tomorrow!

Catalog Number	Die Space		Thickness		O	D	E	C	G
	L to R A	F to B B*	J	K					
0404-11 0404-21	4	4	1 1/2 1 3/4	1 1/4 1 1/4	1	4 7/8	2 1/4	1 3/8	2 7/16
0504-11 0504-21	5	4	1 1/2 1 3/4	1 1/4 1 1/4	1	4 7/8	3	1 3/8	2 3/8
0505-11 0505-12 0505-21 0505-22	5	5	1 1/2 2	1 1/4 1 3/4 1 1/4 1 3/4	1	4 7/8	3	1 3/8	2 11/16
0604-11 0604-12 0604-21 0604-22	6 1/2	4	1 1/2 1 3/4	1 1/4 1 3/4 1 1/4 1 3/4	1	4 7/8	4 1/8	1 3/8	2 1/8
0606-11 0606-12 0606-21 0606-22	6 1/2	6	1 1/2 2	1 1/4 1 3/4 1 1/4 1 3/4	1	6 7/8	4 1/8	1 3/8	3 3/16
0707-11 0707-12 0707-21 0707-22	7 1/2	7	1 1/2 2	1 1/4 1 3/4 1 1/4 1 3/4	1	7 7/8	5 1/2	1 3/8	3 11/16
0804-11 0804-12 0804-21 0804-22	8 1/2	4	1 1/2 2	1 1/4 1 3/4 1 1/4 1 3/4	1	4 7/8	6 3/4	1 3/8	2 5/16
0806-11 0806-12 0806-21 0806-22	8 1/2	6	1 1/2 2	1 1/4 1 3/4 1 1/4 1 3/4	1	6 7/8	6 3/4	1 3/8	3 1/8
0808-11 0808-12 0808-21 0808-22	8 1/2	8	1 1/2 2	1 1/2 1 3/4 1 1/4 1 3/4	1	8 7/8	6 3/4	1 3/8	4 3/16

*B = in front of bushings

READY TECHNOLOGY, INC.

333 Progress Rd. • Dayton, OH 45449
 (800) 543-4355 • (937) 866-7200 • fax (937) 866-7226
 www: READYTECHNOLOGY.com